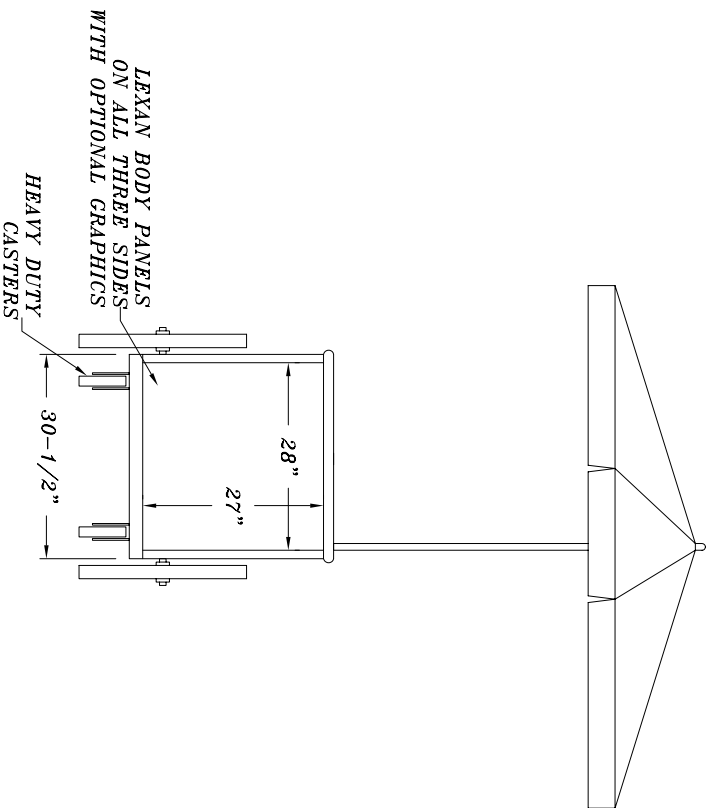
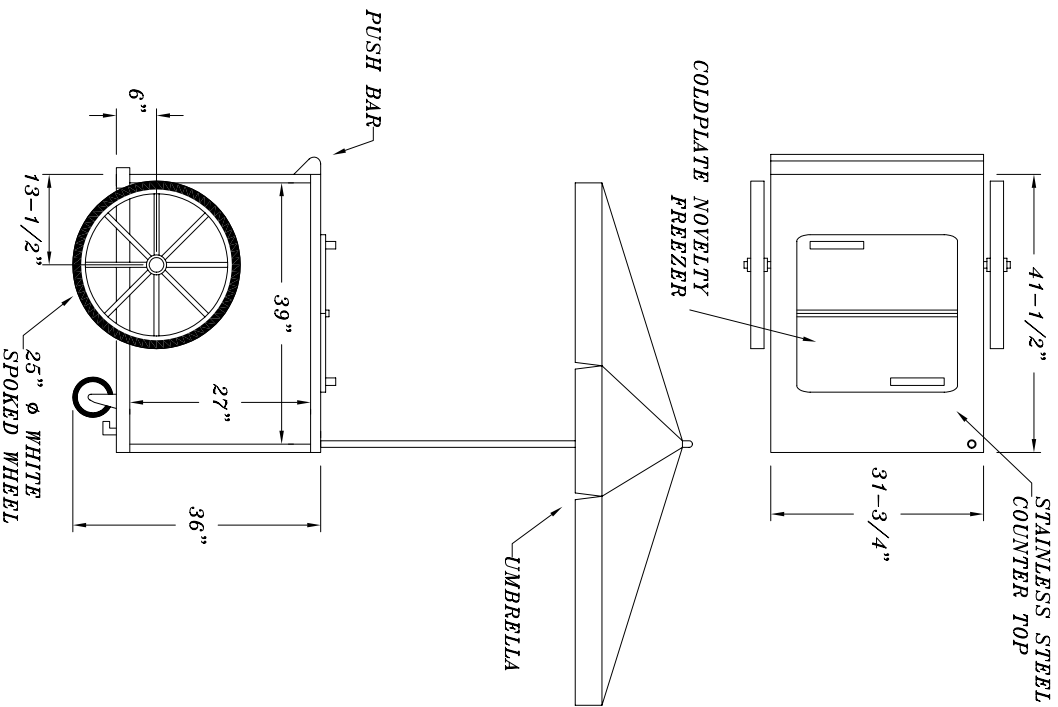


APPROVED

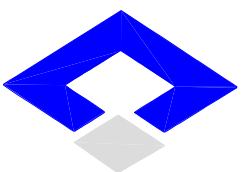
NAME: \_\_\_\_\_  
DATE: \_\_\_\_\_  
ANY ADDITIONS TO THIS DESIGN WILL  
WARRANT AN INCREASE IN PRICE.  
ALL DESIGNS, SPECIFICATIONS AND INVOICES  
PRIOR TO THIS DRAWING ARE NULL AND VOID.

# 800-M

ALL DIMENSIONS  
ARE NOMINAL



INITIAL CHARGE IS 24 HOURS, AFTER  
THE INITIAL CHARGE, USE THE UNIT FOR  
A 12 HOUR DAY, AFTER THE 12 HOUR  
DAY CHARGE THE UNIT FOR 12 HOURS



**CUSTOM**  
*Mobile Food Equipment*

CUSTOM MOBILE FOOD  
EQUIPMENT, INC.  
11th St. and 2nd Road  
P.O. Box 635  
Hammononton, NJ 08037  
1-800-257-7855  
[www.foodcart.com](http://www.foodcart.com)

ALL DETAILS AND SPECIFICATIONS  
CONTAINED IN THIS DRAWING AND  
ON ANY CORRESPONDENCE ARE BASED ON  
THE LATEST PRODUCT INFORMATION  
AVAILABLE AT THE TIME OF DESIGN  
AND WERE BELIEVED CORRECT  
HOWEVER, ACCURACY CANNOT BE  
GUARANTEED. CUSTOM MOBILE  
FOOD EQUIPMENT, INC. RESERVES  
THE RIGHT TO MAKE CHANGES AT  
ANYTIME, WITHOUT NOTICE OR  
OBLIGATION, TO ALL DESIGNS  
OR PRODUCTS.  
THIS DESIGN WAS PREPARED  
BY CUSTOM MOBILE FOOD  
EQUIPMENT, INC. AND IS THE  
EXCLUSIVE PROPERTY OF  
CUSTOM MOBILE FOOD  
EQUIPMENT, INC. IT MAY  
NOT BE CONSIDERED OR  
REPRODUCED IN TOTAL OR IN  
PART BY ANY PERSON WITHOUT  
A WRITTEN RELEASE BY  
CUSTOM MOBILE FOOD EQUIPMENT,  
INC.  
INVESTIGATION OF HEALTH, FIRE  
AND ZONING CODES SHOULD BE  
COMPLETED BY THE CUSTOMER  
PRIOR TO ORDERING.

DATE: 3-1-2001  
DRAWING #: 5163  
DRAWN BY: J. C.  
CHECKED BY: F. ITALIANO  
REVISIONS: