

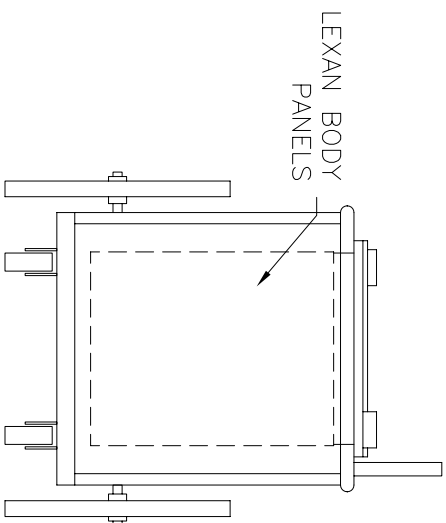
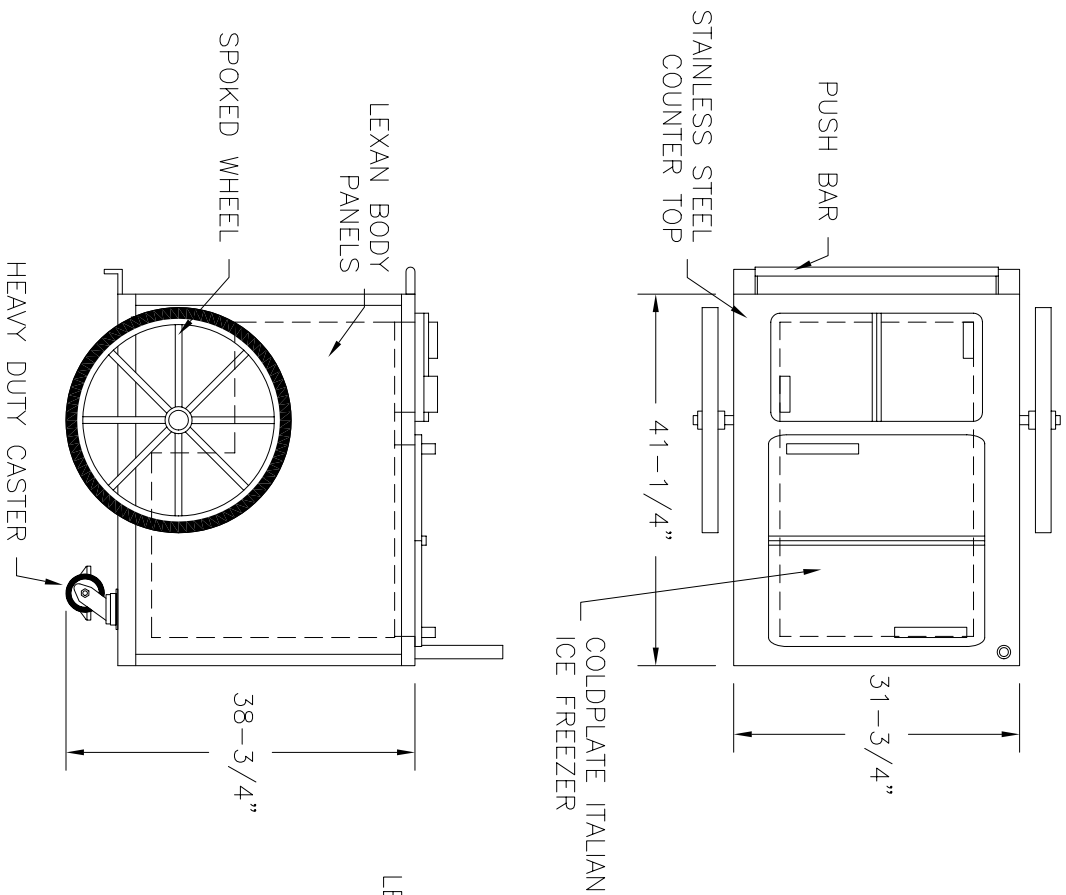
APPROVED _____

NAME: _____
DATE: _____

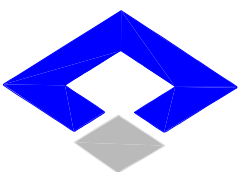
ANY ADDITIONS TO THIS DESIGN WILL
WARRANT AN INCREASE IN PRICE.

ALL DESIGNS, SPECIFICATIONS AND INVOICES
PRIOR TO THIS DRAWING ARE NULL AND VOID.

ITALIAN ICE 800-M



INITIAL CHARGE IS 24 HOURS, AFTER
THE INITIAL CHARGE, USE THE UNIT FOR
A 12 HOUR DAY, AFTER THE 12 HOUR
DAY CHARGE THE UNIT FOR 12 HOURS



CUSTOM
Mobile Food Equipment

CUSTOM MOBILE FOOD
EQUIPMENT, INC.
11th St. and 2nd Road
P O Box 635
Hammonnton, NJ 08037
1-800-257-7855
www.foodcart.com

ALL DETAILS AND SPECIFICATIONS
CONTAINED IN THIS DRAWING AND
ON ANY CORRESPONDENCE ARE BASED ON
THE LATEST PRODUCT INFORMATION
AVAILABLE AT THE TIME OF DESIGN
AND WERE BELIEVED CORRECT
HOWEVER, ACCURACY CANNOT BE
GUARANTEED. CUSTOM MOBILE
FOOD EQUIPMENT, INC. RESERVES
THE RIGHT TO MAKE CHANGES AT
ANYTIME, WITHOUT NOTICE OR
OBLIGATION, TO ALL DESIGNS
OR PRODUCTS.
THIS DESIGN WAS PREPARED
BY CUSTOM MOBILE FOOD
EQUIPMENT, INC. AND IS THE
EXCLUSIVE PROPERTY OF
CUSTOM MOBILE FOOD
EQUIPMENT, INC. IT MAY
NOT BE CONSIDERED OR
REPRODUCED IN TOTAL OR IN
PART BY ANY PERSON WITHOUT
A WRITTEN RELEASE BY
CUSTOM MOBILE FOOD EQUIPMENT,
INC.
INVESTIGATION OF HEALTH, FIRE
AND ZONING CODES SHOULD BE
COMPLETED BY THE CUSTOMER
PRIOR TO ORDERING.

DATE: 1-17-02
DRAWING #: 5389
DRAWN BY: J. C.
CHECKED BY: F. ITALIANO
REVISIONS: